



PROJECT: _____
 ITEM # _____ QTY: _____
 MODEL # _____
 AIA # _____ SIS # _____

SANDWICH PREP REFRIGERATOR WITH DRAWERS

SANDWICH PREP REFRIGERATOR WITH DRAWERS

VSPD36HC-10-2



CABINET CONSTRUCTION

- Stainless Steel Exterior (galvanized back and bottom)
- Aluminum Interior
- Hinged, Insulated Flat Lift-Up Lid
- One-Piece, Snap-In Magnetic Drawer Gaskets
- Heavy-Duty Aluminum Pan Liner
- 8' Cord And Plug (see electrical data for details)

FEATURES

- Full Electronic Control
- Low Profile Horizontal Drawers Handles
- Stay-Open Drawer Feature For Easy Product Loading
- Accommodates Up To 6" Deep Food Service Pans
- Heavy-Duty Stainless Steel Drawer Frames
- Heavy-Duty Pan Divider Supports Supplied
- Locking Divider Bars
- Telescoping Drawers Slides With Locking Mechanism
- Accommodates 6" Deep Full Size Food Service Pans In Both Upper And Lower Drawers (pans not included)
- 10" Composite Cutting Board
- 6" Casters Two With Brakes

REFRIGERATION

- Refrigeration System Uses R-290 Refrigerant To Comply With All Environmental Concerns
- Rear Mounted Refrigeration System
- Adaptive Defrost For Reduced Energy Consumption And More Consistent Product Temperatures
- Epoxy Coated Evaporator Coil
- Refrigerator Capable Of Maintaining Product Temperature 36°F to 38°F

- ▶ **3 Year Parts & Labor Warranty**
- ▶ **Plus An Additional 2 Year Compressor Warranty**
- ▶ **Exclusive 2 Year Warranty On Magnetic Door Gaskets**
- ▶ **Lifetime Warranty On Handles & Hinges (Parts Only)**



Please verify qualifying units by visiting:
www.energystar.gov/cfs

OPTIONS & ACCESSORIES

- | | | |
|----------------------------|----------------------------------|---|
| • Secure-Temp™ Technology | • Garnish Rack (full & half pan) | • Casters: 3", Roller Kit, Low Profile |
| • Stainless Steel Interior | • 12" Cross Bar | • Correctional Package |
| • Stainless Steel Back | • Front Or Side Crumb Catcher | • Remote Models* (6" legs only) (refrigerant must be specified at time of order, see note on back on page) |
| • Drawer Locks | • Roll Top Cover | |
| • 10 Pan Cover | • 6" Legs Or 6" Seismic Legs | |

3779 Champion Blvd, Winston-Salem, NC 27105

ph: (888) 845-9800 | fax: (800) 253-5168

Sales@VictoryRefrigeration.com | VictoryRefrigeration.com

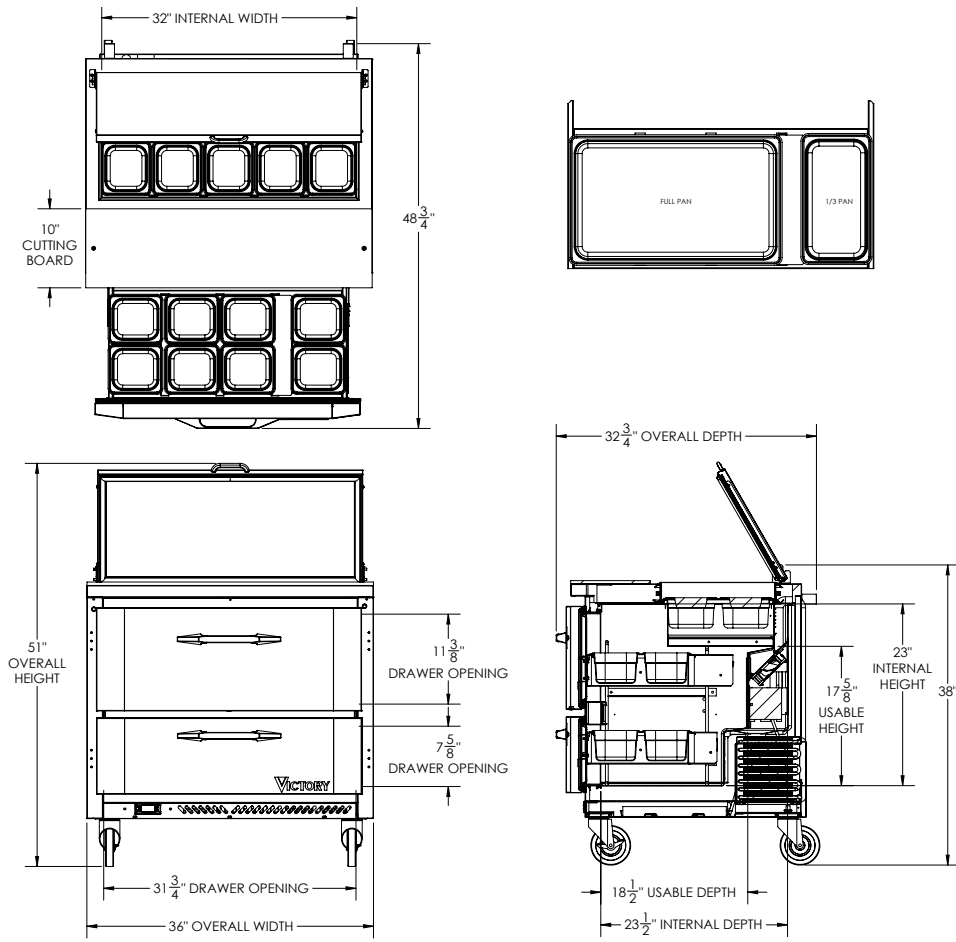
Rev. 1/6/20 Printed in U.S.A.

APPROVAL: _____ DATE: _____



SANDWICH PREP REFRIGERATOR WITH DRAWERS

VSPD36HC-10-2



We reserve the right to change specifications and product design without notice. Such revisions do not entitle the buyer to corresponding changes, improvements, additions or replacements for previously purchased equipment. Dimensional tolerances +/- 1/4". Metric dimensions (MM)

| CHARACTERISTICS | | ELECTRICAL DATA | | SHIPPING DETAILS | |
|---------------------------------------|---------------------------------------|--------------------------------|----------|---|---------|
| Net Capacity | 10.0 | Cabinet Voltage | 115/60/1 | Height | 48" |
| Width, Overall (in.) | 36" | Total Amperes | 2.2 | Width | 39" |
| Depth, Overall (with handle & bumper) | 32 3/4" | NEMA Plug* (8' cord) | 5-15P | Depth | 39" |
| Height Overall (6" casters) | 51" | REFRIGERATION DATA | | Crated Weight | 342 lbs |
| Depth, Drawer Extended | 48 3/4" | Condensing Unit Size, HP* | 1/6 | *NOTE: Remote units are field wired and comes with 6" legs. Refrigerant must be specified at time of order. | |
| Drawer Openings (in.) | 31 3/4" x 11 1/4" 31 3/4" x 7 1/2" | Refrigerant* | R-290 | | |
| No. Of Drawers | 2 | Capacity (BTU/HR) (100°F/20°F) | 1094 | | |
| No. Of Pans | 10 | | | | |

3779 Champion Blvd, Winston-Salem, NC 27105 | ph: (888) 845-9800 | fax: (800) 253-5168

Sales@VictoryRefrigeration.com | VictoryRefrigeration.com

Rev. 1/6/20 Printed in U.S.A.

an Ali Group Company



The Spirit of Excellence