

GF Millenium & Olympia Spit Racks



Wall Mounted Spit Rack
REF. SMIB /0477



Ref. RACK10
All Stainless steel
with optional cover
(Cover ref.: BACHE10)



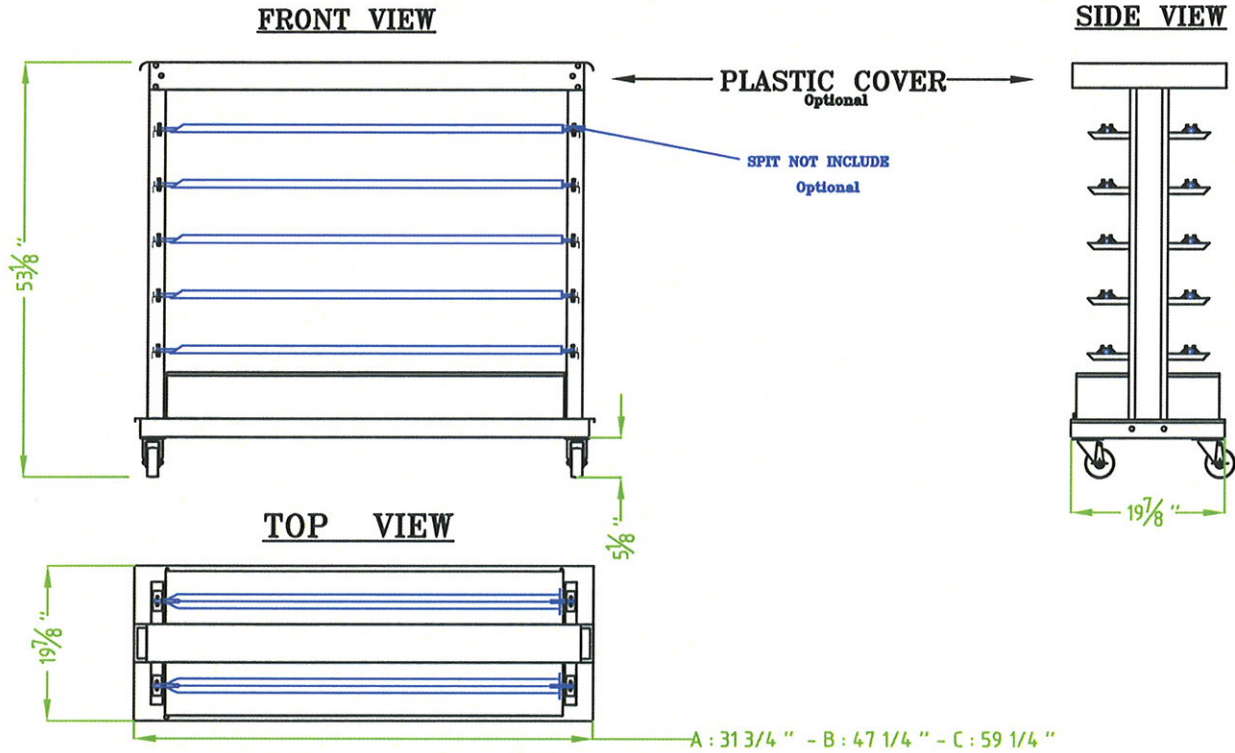
Ref. RACK20
All Stainless steel
Optional cover not shown.
(Cover ref: BACHE 20)



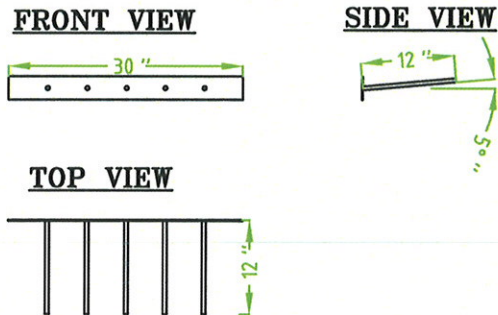
Rotisol-France, Inc Tel/ (800) 651-5969 - (310) 671-7254 Fax/ (310) 671-8171 341 North Oak Street, Los Angeles, CA 90302
www.rotisolusa.com info@rotisolusa.com

Information contained in this document is known to be current and accurate at the time of printing/creation. Rotisol-France, Inc recommends referencing our product line website, rotisolusa.com, for the most updated product information and specifications (Revised 05/25/10).

SPECIFICATION SPIT RACK (10 SPITS)



SPECIFICATION WALL MOUNTED SPIT RACK



		COMPATIBILITY CHART WITH GRANDE FLAMME ROTISSERIE **							DIMENSION (inches)		
	REF	950/2	950/5	950/8	1350/2	1350/5	1350/8	1650/8	HEIGHT	DEPTH	WIDTH
SPIT RACK WITH COVER	0467	V	V	V					53 1/8	19 7/8	A
	0469				V	V	V		53 1/8	19 7/8	B
	0466							V	53 1/8	19 7/8	C
SPIT RACK WITHOUT COVER	0466	V	V	V					53 1/8	19 7/8	A
	0468				V	V	V		53 1/8	19 7/8	B
	0470							V	53 1/8	19 7/8	C
SPIT HOLDER	0477										

** Note : Please specified your rotisserie model number when you order the rack

WARRANTY CONDITIONS :

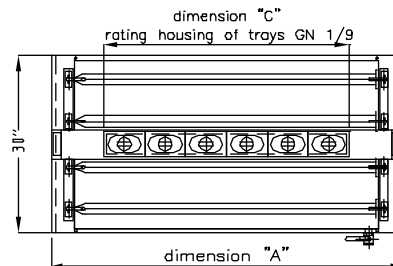
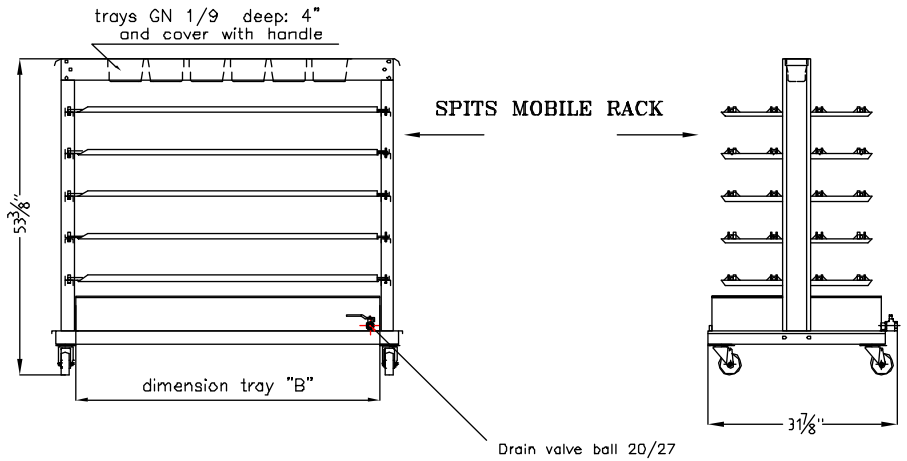
rotisol warrants its equipment to be free from defects in material and workmanship. the warranty covers parts for one year and labor for 6 months. repairs must be performed by an authorized service company and it is the responsibility of the customer to return the defective parts to rotisol france, inc. within 15 days(otherwise, the warranty will not be honored). the shipping charges for replacement parts, other than ground, will be at the customer's expense. this warranty does not cover glass door breakage and quartz or halogene lamp breakage, neither does it cover a mechanical parts. this warranty does not apply to damages by accident, incorrect line voltage, fire, water, or other acts or god.

SPECIFICATION ENVIRONMENT RACK20

PROJECT :	
ITEM NUMBER :	QTY:

DIMENSION (inches)			
	WIDTH	HEIGHT	DEPTH
Spits mobile rack	dim "A"	53 3/8	31 7/8

CHARACTERISTICS
- all stainless steel
- Nb max of spits: 20
- Gastronorm trays integrated spices
- 4 wheels 2 with brakes
- Options Accessories: protection cover ref.: B



Racks	rotoisseries Models	DIMENSION (inches)			Number of trays GN 1/9	Weight	Weight of packing
		dim "A"	dim "B"	dim "C"			
RACK20GF975	GF 975	31 1/2	23 5/8	20 1/8	3	101	50
RACK20NGF975	975NGF	31 1/2	23 5/8	20 1/8	3	101	50
RACK20GF1375	GF 1375	47 1/4	39 3/8	40 5/8	6	152	60
RACK20NGF1375	1375NGF	47 1/4	39 3/8	40 5/8	6	152	60
RACK20GF1675	GF 1675	59 1/8	51 1/4	40 5/8	6	189	60
RACK20SM1175	1175SM	41 3/8	30	20 1/8	3	132	50

WARRANTY CONDITIONS :

Rotisol warrants its equipment to be free from defects in material and workmanship. The warranty covers parts for one year and labor for 6 months. Repairs must be performed by an authorized service company and it is the responsibility of the customer to return the defective parts to Rotisol France, inc. within 15 days (otherwise, the warranty will not be honored). The shipping charges for replacement parts, other than ground, will be at the customer's expense. This warranty does not cover glass door breakage and quartz or halogen lamp breakage, neither does it cover a mechanical parts. This warranty does not apply to damages by accident, incorrect line voltage, fire, water, or other acts of god.