

Open Merchandisers 30E Series - 72"H - Endless Design - Meat



| Model No. | Description | Length | Depth | Height | Voltage | Amps | HP/BTUs | Power Cord | Est. Ship Weight |
|-----------------------|----------------|--------|--------|--------|-------------|------|---------|------------|------------------|
| SC-OM30E-3-LED | Self Contained | 39" | 30" | 72" | 115 | 12.0 | 1/2 | 5-15P | 535 |
| SC-OM30E-4-LED | Self Contained | 51" | 30" | 72" | 115/208-230 | 11.3 | 3/4 | L14-20P | 615 |
| SC-OM30E-5-LED | Self Contained | 63" | 30" | 72" | 115/208-230 | 13.1 | 1 | L14-20P | 738 |
| SC-OM30E-6-LED | Self Contained | 75" | 30" | 72" | 115/208-230 | 13.1 | 1 | L14-20P | 860 |
| R-OM30E-3-LED | Remote | 39" | 30" | 72" | 115 | 1.4 | 4200 | NO | 482 |
| R-OM30E-4-LED | Remote | 51" | 30" | 72" | 115 | 2.2 | 5600 | NO | 554 |
| R-OM30E-5-LED | Remote | 63" | 30" | 72" | 115 | 2.8 | 7000 | NO | 664 |
| R-OM30E-6-LED | Remote | 75" | 30" | 72" | 115 | 2.8 | 8400 | NO | 774 |
| R-OM30E-8-LED | Remote | 99" | 30" | 72" | 115 | 4.3 | 11200 | NO | 977 |
| R-OM30E-10-LED | Remote | 123" | 31.25" | 72" | 115 | 7.0 | 14000 | NO | 1328 |
| R-OM30E-12-LED | Remote | 147" | 31.25" | 72" | 115 | 8.0 | 16800 | NO | 1548 |

MODEL NUMBER PREFIX - SC = Self Contained R = Remote
 MODEL NUMBER SUFFIX - W = White B = Black S = Stainless Steel LED = LED lighting
 • Cases are designed to operate at 75 degrees Fahrenheit and 55% relative humidity
 • Cases are equipped with drains; check your local building codes for connection requirements.
 • Specification subject to change without notice
 IF COLORS ARE MIXED AN ADDITIONAL CHARGE WILL APPLY



Open Merchandisers 30E Series – 72"H – Endless Design - Meat Standard Specifications and Optional Features

CONSTRUCTION

- UL Classified to ANSI/NSF 7
- Foamed in place CFC free foam
- Heavy gauge steel super structure
- Multi deck
- Endless design allows for continuous line up

INTERIOR

- White, black, or stainless steel end panels
- Removable white, black, or stainless steel floor pans
- White, black, or stainless steel perforated rear wall (for even air distribution)
- Full length lighting at top of unit
- 3 levels of lit shelving with product stop
- 4 levels of product display
- Stylish tag molding on each shelf

EXTERIOR

- White, black, or stainless steel ends and front
- White, black, or stainless steel color band
- Removeable front grill allows for cleaning and servicing
- 1" bumper
- Choice of end panels

FINISHES

- White, black, or stainless steel end panels
- White, black, or stainless steel front rail
- White, black, or stainless steel front color band
- White, black, or stainless steel end trim
- Laminate, and custom paints available
- Coated galvanized rear

LIGHTING

- LED lighting
- 1 row at inside top of unit
- 3 rows of lighted shelving

ELECTRICAL REQUIREMENTS

- Unit comes with cord and plug
- UL/CUL listed
- See Tech page for details on voltage

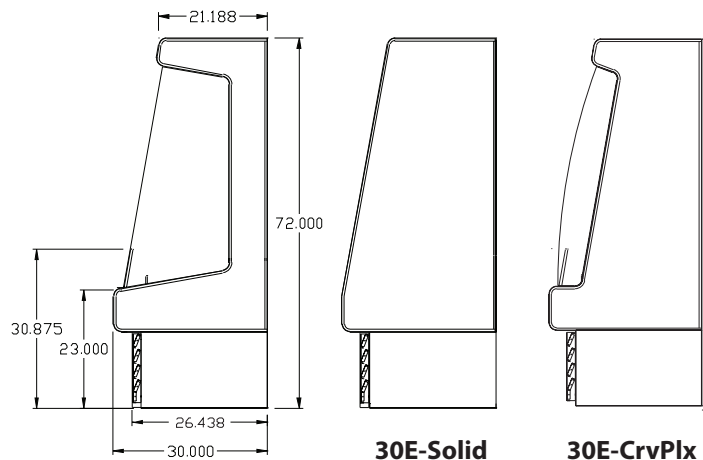
REFRIGERATION

- Self Contained - R513A expansion valve system
- Remote - R407A expansion valve system
- Low velocity fans located below deck area (to insure even flow of air)
- Electronic Control System with automatic air defrost to Maintain Balanced Temperatures
- New high efficiency air screen technology
- Self contained system
- Copeland hermetic unit
- Remotes available

OPTIONAL FEATURES

- Night covers
- Security cover
- Peg bars
- Insulated divider for line ups
- Plexiglas divider for line ups
- Colored bumper
- Stainless steel, laminated or paint
- Product stops on shelving
- 3 Different end panel choices
- Digital thermometer

Important Note:
All refrigerated cases are designed to operate in an environment of 75 degrees and 55% relative humidity. Product must be cooled before being displayed within the case.
DRAIN IS REQUIRED



Open Merchandisers 30E Series – 72"H – Endless Design - Meat

Technical Data

| Model No. | SC R | SC-OM30E-3-LED R-OM30E-3-LED | SC-OM30E-4-LED R-OM30E-4-LED | SC-OM30E-5-LED R-OM30E-5-LED | SC-OM30E-6-LED R-OM30E-6-LED | R-OM30E-8-LED | R-OM30E-10-LED | R-OM30E-12-LED |
|---|-------------|---------------------------------|---------------------------------|---------------------------------|---------------------------------|-----------------|-----------------|-----------------|
| Length with (2) ends | | 39" | 51" | 63" | 75" | 99" | 123" | 147" |
| Length without ends | | 36" | 48" | 60" | 72" | 96" | 120" | 144" |
| Height with ends | | 72" | 72" | 72" | 72" | 72" | 72" | 72" |
| Height without ends | | 71.5" | 71.5" | 71.5" | 71.5" | 71.5" | 71.5" | 71.5" |
| Depth with ends | | 30" | 30" | 30" | 30" | 30" | 31.25" | 31.25" |
| Depth without ends | | 29" | 29" | 29" | 29" | 29" | 30.25" | 30.25" |
| Endless design (Dimensions are +/- 1/4") | | YES | YES | YES | YES | YES | YES | YES |
| Operating temperature | | 34°F to 38°F | 34°F to 38°F | 34°F to 38°F | 34°F to 38°F | 34°F to 38°F | 34°F to 38°F | 34°F to 38°F |
| Refrigerant (expansion valve) | SC | R513A | R513A | R513A | R513A | | | |
| Refrigerant (expansion valve) | R | R407A | R407A | R407A | R407A | R407A | R407A | R407A |
| Compressor size HP | SC | 1/2 | 3/4 | 1 | 1 | | | |
| Defrost per day (24 hrs) (24 hrs) | Air Defrost | 6 per day | 6 per day | 6 per day | 6 per day | 6 per day | 6 per day | 6 per day |
| BTU's at +20°F Evap. Temp. | R | 4200 | 5600 | 7000 | 8400 | 11200 | 14000 | 16800 |
| Voltage | SC | 115 | 115/208-230 | 115/208-230 | 115/208-230 | N/A | N/A | N/A |
| Amperage | SC | 12 | 11.3 | 13.1 | 13.1 | N/A | N/A | N/A |
| Remote Voltage | R | 115 | 115 | 115 | 115 | 115 | 115 | 115 |
| Amperage, lights only | R | 1.4 | 2.2 | 2.8 | 2.8 | 4.3 | 7.0 | 8.0 |
| Cord and plug | SC R | 5-15P NO | L14-20P NO | L14-20P NO | L14-20P NO | N/A NO | N/A NO | N/A NO |
| Exterior color | | W,B,S | W,B,S | W,B,S | W,B,S | W,B,S | W,B,S | W,B,S |
| Interior color | | W,B,S | W,B,S | W,B,S | W,B,S | W,B,S | W,B,S | W,B,S |
| # of shelves | | 3 | 3 | 3 | 6 | 6 | 9 | 12 |
| Shelf size depth | | (1) 12" (2) 14" | (1) 12" (2) 14" | (1) 12" (2) 14" | (1) 12" (2) 14" | (1) 12" (2) 14" | (1) 12" (2) 14" | (1) 12" (2) 14" |
| Shipping Info | | | | | | | | |
| Height | | 76" | 76" | 76" | 76" | 76" | 76" | 76" |
| Depth | | 44" | 44" | 44" | 44" | 44" | 44" | 44" |
| Length | | 49" | 61" | 73" | 87" | 109" | 133" | 157" |
| Gross weight SC/R | | 535/482 | 615/554 | 738/665 | 860/774 | 1085/977 | Remote 1328 | Remote 1548 |
| Cubic feet | | 95 | 118 | 141 | 168 | 210 | 257 | 303 |

(ALL WHITE OR ALL BLACK, NO EXTRA CHARGE—IF COLORS ARE MIXED AN ADDITIONAL CHARGE WILL APPLY)

Prefix

SC = Self Contained
R = Remote

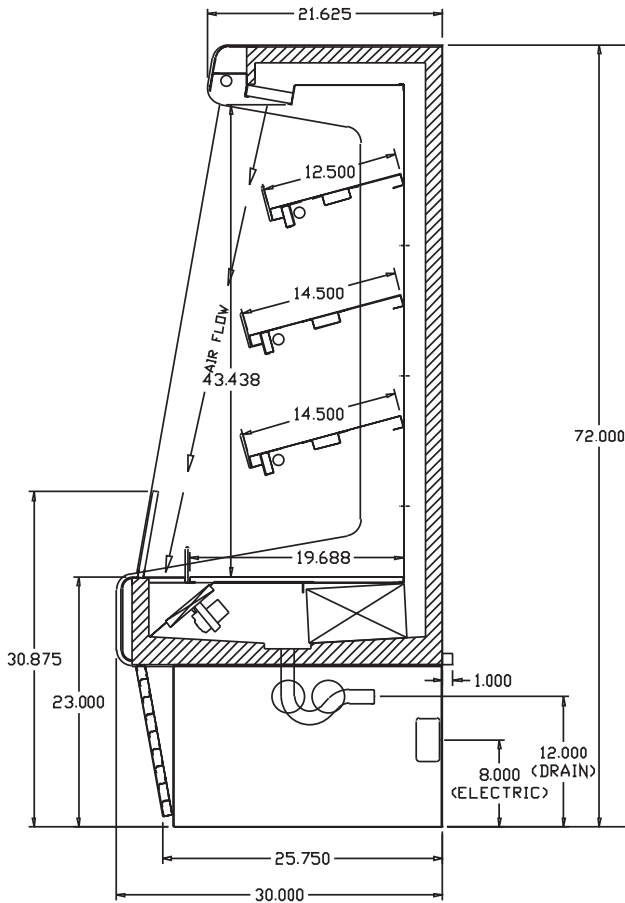
Suffix

B = Black
W = White
S = Stainless Steel
LED = LED lighting

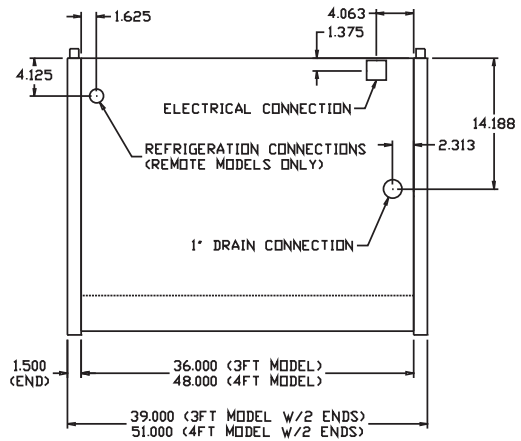
- Cases are designed to operate at 75 degrees Fahrenheit and 55% relative humidity
- Cases are equipped with drains; check your local building codes for connection requirements.
- Specification subject to change without notice

Open Merchandisers 30E Series – 72"H – Endless Design - Meat

Technical Data • Cross Section • Plan View



Cross Section



Plan Views

