

Champion®

The Dishwashing Machine Specialists

Project _____
 Item No. _____
 Quantity _____

PP-12-PT WASHER

STANDARD FEATURES

- Heavy-duty stainless steel construction
- External rinse hose and spray gun
- Self-contained water heating
- Moisture resistant control gauges
- Recirculating wash water
- Adjustable wash and rinse cycles
- Removable dual filtration system
- Electric or steam water heating
- Precision engineered spray patterns
- Digital Control & Information Center
- One-year parts and labor warranty

PP-12-PT

Pot, Pan and Utensil Washer



Photo is for general visual representation only. Please refer to specifications for the latest detailed product information.

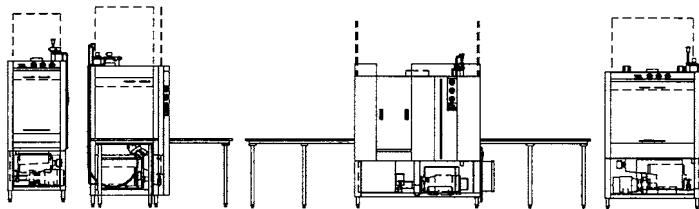


OPTIONS

Tank Heat

Steam

Additional Lift Door and Split Door Models:



PP-10 PP-12-CPT PP-20-PT PP-20

Champion Industries, Inc.
 3765 Champion Blvd., Winston-Salem, NC 27105
 Tel: 336/661-1556 Fax: 336/661-1979

2674 N. Service Road,
 Jordan Station, Ontario, Canada L0R 1S0
 Tel: 800/263-5798 Fax: 905/562-4618

www.championindustries.com

PP-12-PT

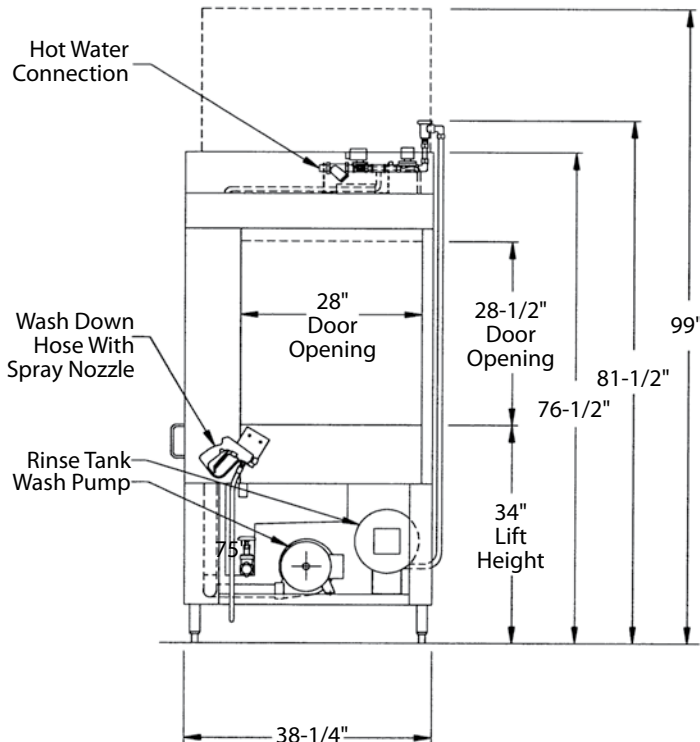
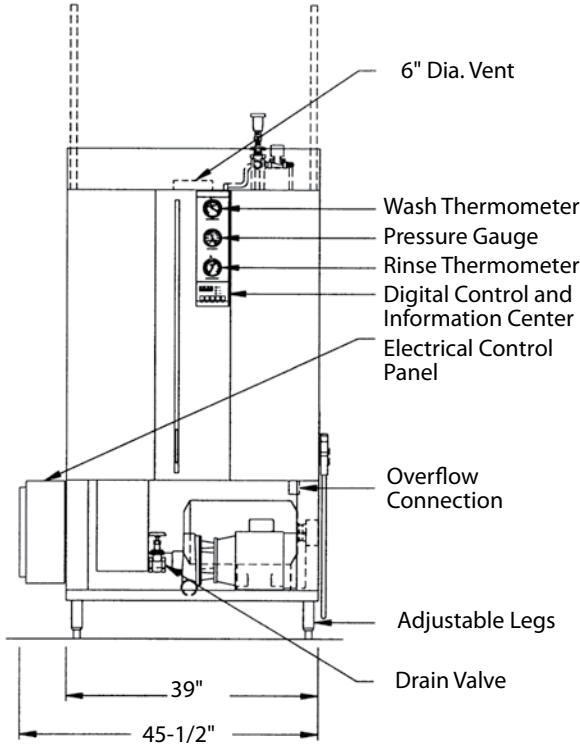
PP-12-PT WASHER

Pot, Pan and Utensil Washer

Champion®

The Dishwashing Machine Specialists

Dimensions shown in inches



SPECIFICATIONS

Machine Construction

12, 14, & 16 gauge stainless steel. All seams Heliarc welded.

Door

Stainless steel, counter-balanced with self-lubricating guides. Stainless steel cables on nylon rollers with guards to prevent jumping.

Filter

Perforated, removable, Stainless Steel screens.

Water Pump

7-1/2 Hp., 208/240 or 440/480 volt, 1 phase or 3 phase, 60 cycle with output of 120 gallons per minute at 35 to 45 P.S.I.

Digital Control & Information Center

120 volt control circuit with push pad operation of "Power On", "Stop" and "Short, Medium or Long Wash Cycles". A digital display indicates "Time Remaining" for each cycle. LED's indicate wash, rinse and unload functions. A buzzer is also included to provide an audible indication of time to unload. A pre-programmed circuit board allows the push pad to be used as a "Diagnostic Center" by displaying "Error Codes" for ease of troubleshooting.

Gauges

Wash temperature, rinse temperature, wash jet pressure. Special moisture resistant design.

Wash Tank

Stainless steel with electric, steam or steam coil heating. Thermostatically controlled, low water protected, sloped to drain 20 gallon capacity.

Rinse Tank

Stainless steel with electric or steam coil heating to provide 180°F/190°F hot sanitizing rinse.

Racks

Stainless steel rod, built to match specific washing requirements.

Due to an ongoing value analysis program at Champion, specifications contained in this catalog are subject to change without notice.

Champion Industries, Inc., 3765 Champion Blvd., Winston-Salem, NC 27105 • 336/661-1556 • Fax: 336/661-1979 • www.championindustries.com
2674 N. Service Road, Jordan Station, Ontario, Canada L0R 1S0 • 905/562-4195 • Fax: 905/562-4618

Washer	Automatic washing machine designed to wash all pots, pans and utensils commonly used in baking and cooking operations. Machine is pass-thru type with tabling on each end.
Cabinet	39" wide x 38-1/4" deep x 76-1/2" high. Overall height with door open: 99". Door opening: 28" wide x 28-1/2" high. Constructed of 12, 14 & 16 gauge, stainless steel. All seams tig-welded, cleaned and polished.
Door	Lift-up door type. Two doors, single control handle. Counter balanced with self-lubricating guides, stainless steel cables on nylon rollers with cable guards to ensure tracking. Doors are interlocked with limit switch to prevent machine operation while doors are open. Door construction: 16 gauge, stainless steel.
Recirculating Wash Tank	Heated by 12 kW total 208/240 at 480 volt electric immersion heater, thermostatically controlled wash temperature and low water protection system. 20 gallons, 14 gauge stainless steel, sloped to drain. Steam coil heating option available.
Wash Tank Filter	Perforated, stainless steel basket type, double filter system for increased effectiveness and easy cleaning without emptying wash tank.
Wash Tank Fill Valve	Size 1/2" brass material, solenoid type, automatic.
Wash Tank Drain Valve	Size 1-1/4" brass material, gate type for manual or electrically operated ball valve for automatic option.
Wash Pump	7-1/2 Hp, 208/240 or 480 volt, 3 phase, 60 cycle. Close coupled; 120 gallons per minute at 35 to 45 psi, mounted on 12 gauge stainless steel formed channel base.
Rotating Wash Hub and Spray Arm Assembly	Water driven, stainless steel spray arm assembly with stainless steel jets, removable end caps and hand-operated, quick-release mechanism for easy cleaning and reassembly. Mounted on stainless steel base.
Sanitizing Rinse Tank	Stainless steel, 6 gallon capacity, with one 6 kW 208/240 or 480 volt electric booster heater to provide 180°/190° F hot sanitizing rinse. Uses 2.8 gallons per 22 second cycle. Steam coil heating option available.
Water Supply Valve	Size 1/2" brass material, solenoid type, automatic.
Final Rinse Piping	Stainless steel tubing with brass compression fittings and brass or optional stainless steel full cone rinse jets.
Control & Information Center	110 volt control circuit with push pad operation of "Power On," "Stop" and "Short, Medium or Long Wash Cycles." A digital display indicates "Time Remaining" for each cycle. LED's indicate wash, rinse and unload functions. A buzzer is also included to provide an audible indication of time to unload. A pre-programmed circuit board allows the push pad to be used as a "Diagnostic Center" by displaying "Error Codes" for ease of troubleshooting. Moisture resistant gauges measure Wash Temperature, Wash Pressure and Rinse Temperature.
External Rinse Spray Hose	Externally mounted rinse hose with spray gun for easy cleaning and maintenance of machine.
Steam Exhaust Vent	Steam exhaust vent 6-3/4" diameter, consisting of 16 gauge rolled collar for PVC pipe connection bolted to the top of the machine. Machine pre-wired with control timer for the addition of a fan.
Optional Exhaust Fan	Draft inducer fan side mounted on exhaust duct to extract excess steam after final rinse cycle. 300 CFM @ .05" static pressure. 1/10 Hp, 110 volt motor, 1550 RPM.

Racks

Standard bakery racks include (1) utensil rack with hold-down lid and (1) bun/sheet pan rack designed to hold 20 pans, constructed of stainless steel rod, mig-welded.

Connections

Water Inlet: 120°F, 3/4" NPT

Water Drain and Overflow: 1-1/4" NPT

Electrical: Single point connection through knock out on electrical enclosure.

Steam Heating Option: 1/2" NPT

Electrical Connections

575 voltage available in Canada

Elec. Spec.	Running Amps	
	Electric Wash Electric Booster	Steam Wash ¹ Steam Booster
208 Volt 3 phase	71	21
240 Volt 3 phase	65	20
480 Volt 3 phase	34	11

¹ Steam Supply: Consumption: 63 lbs./hr. @ 15 psi minimum

Certifications

UL and UL Sanitation Listed (all). CUL Listed.